

Polyurethane High-Pressure Metering Machine

Available with
Linden's exclusive
24/7 **HOTLINE™**
Modem Service
Support System.



Ideal for use in:

- Consumer Goods
- Appliances
- Automotive
- Construction
- Furniture
- Sports



High pressure metering and dispensing at an affordable cost.

- The most Technologically Advanced PU machine on the market
- Modular building block design allows the Innovator-EP to meet your needs

Whether it's a simple two stream metering system, or a fully integrated production cell the Innovator-EP can be tailored to:

- Connect from (1) to (16) mix heads, for stationary molding applications
- Be Integrated with robots, turntables (small & large), or conveyors
- Become part of a continuous process line
- Be readily adapted for blowing agent blending
- Permit Color metering as a 3rd stream addition

The EP is engineered to meet today's stringent demands for chemical processing.

- Very operator friendly
- Backed by Linden's Web Based 24/7 Hotline™ Modem Service Support System
- Very precise , State of The Art Process Control

- High degree of reliability
- Energy efficient
- Maintenance friendly
- American built

These features, when combined exemplify Linden's commitment to meeting the ever evolving demands of the PU marketplace.

Whether your requirements are for the simplest of machines, the most complex of cells, or perhaps somewhere in between, the Linden Innovator™ EP Polyurethane Metering Machine can handle it all.

Machine outputs are available ranging from as low as 1.98 lbs./min (0.9 kg/min) to as high as 1500 lbs./min (680 kg/min), at ratios ranging from 1:5 to 5:1.

- Available for shipping worldwide
- Linden can comply with all worldwide power requirements
- The Linden standard Hotline™ Modem Service Support System, permits remote machine analysis in nearly all corners of the globe.

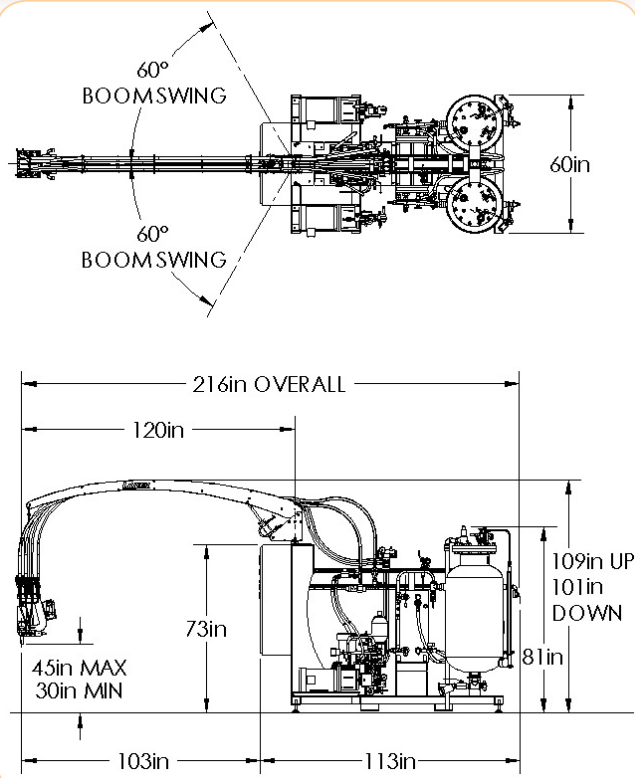
Linden Industries, Inc.
137 Ascot Parkway, Cuyahoga Falls, Ohio 44223
Telephone: 330-928-4064 • Fax: 330-928-1854
info@lindenindustries.com
www.lindenindustries.com

LINDEN
Linden Industries, Inc.
Polyurethane Processing Equipment



Standard Features

- 30 gallon (110 liter) Day Tanks, machine mounted, ASME rated to 150 PSI (10 bar)
- Tank Insulation
- Tank level indication, with high, low, and fill start, fill stop setpoints
- Tank blanket pressure control
- Rexroth or RHL axial piston metering pumps
- Magnetically coupled Iso metering pump
- Variable ratios 1:5 to 5:1
- Flow / Ratio monitoring with deviation alarms
- L-type mix head
- Shot size control based on time or volume
- High efficiency plate heat exchangers for temperature control accuracy
- Allen-Bradley PLC control
- Ten inch, color touch screen HMI (Human Machine Interface)
- Robot Pour Control signal interface
- Shot Data Collection with export capability to an Excel compatible spreadsheet file (2000 shots)
- WEB based HOTLINE™ Modem Service Support System (requires a VPN connection)
- Built-in electronic Mix Head Shot Counters, independent from Linden or other machine controls. **No "calendar" time limitations** means Linden can offer the best Mix Head Warranty in the industry.



Machine Size	EP 2	EP 6	EP 11	EP 12	EP 28	EP 33	EP 55	EP 62
Pump Mfg.	RHL	RHL	RHL	Rexroth	Rexroth	RHL	Rexroth	RHL
Output ranges								
g/sec	22 - 110	66 - 332	127 - 636.8	128 - 642	311 - 1555	365 - 1827	605 - 3025	687 - 3433
Kg/min	1.3 - 6.6	4 - 19.9	7.6 - 38.2	7.7 - 38.5	18.6 - 93.3	21.9 - 109.6	36.3 - 181.5	41.2 - 206
#/min	2.9 - 14.7	8.8 - 43.9	16.8 - 84.2	17 - 84.9	41.1 - 205.6	48.3 - 241.7	80 - 400	90.8 - 454

Optional Features

- 80 gallon (300 liter) day tanks, machine mounted
- Larger (>80 gal) free standing day tanks available
- Tank Autofill control from drums, totes, or bulk
- Fixed or variable speed electric agitators
- Air Dryer
- Straight type Mix Head (price deduction)
- Magnetically coupled Polyol metering pump
- Closed-Loop Flow Control
- Run viscosities > 1800 cps
- Ring line for up to 16 mix heads
- Mix head boom, machine mounted, 6 or 10ft (1800-3000mm) radius, fixed height or 15in (380mm) lift w/ up - down pushbutton controls
- Free standing Jib boom, up to 14ft radius (4270mm), and 3ft (910mm) lift with up - down push button controls
- Water zone controllers for heating > 110 F
- Chiller
- Other power requirements e.g. 575v, 208v, 220v, 380v, 400v, and 50 or 60 hz

Contact us for additional desired features not listed here



Based on S.G. of 1.0
 Typical ratio range of 3:1 - 1:3
 Maximum shot pressure 2850 PSI (197 Bar)
 Typical temperature range of 70 - 120 F (21 - 50 C)
 Viscosity Range of 50-1800 CPS
 (higher viscosity range available using feed pumps)

Different throughputs available on request

Linden Industries, The Systems House for Polyurethane Processing Equipment

Whether your application requires a simple 2 stream metering system, or a fully integrated cell with Robotics, multiple Mixing Heads, and Conveyors - the Innovator-EP can handle it all!
 When your process demands accurate, repeatable, and dependable high pressure dispensing, specify a Linden INNOVATOR-EP.